

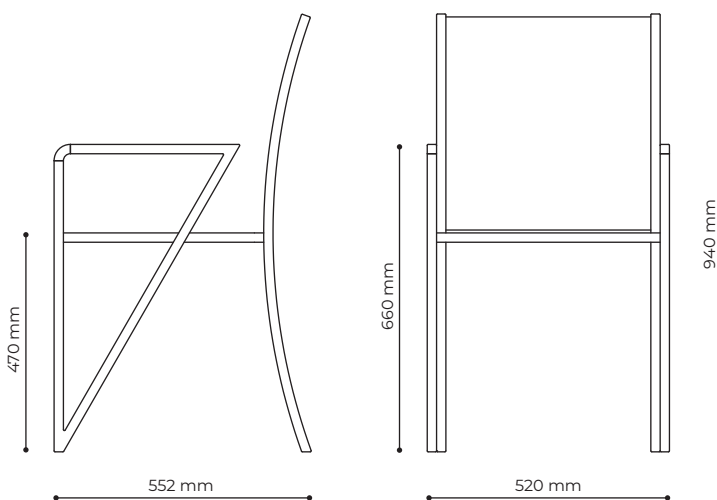
TRIA



DESCRIPTION

TRIA is an outdoor seat designed with simple and basic lines. The steel frame and nautical-inspired fabric ensure its high durability.

DIMENSIONS



VERSIONS

STRUCTURE



FABRIC



MATERIALS

